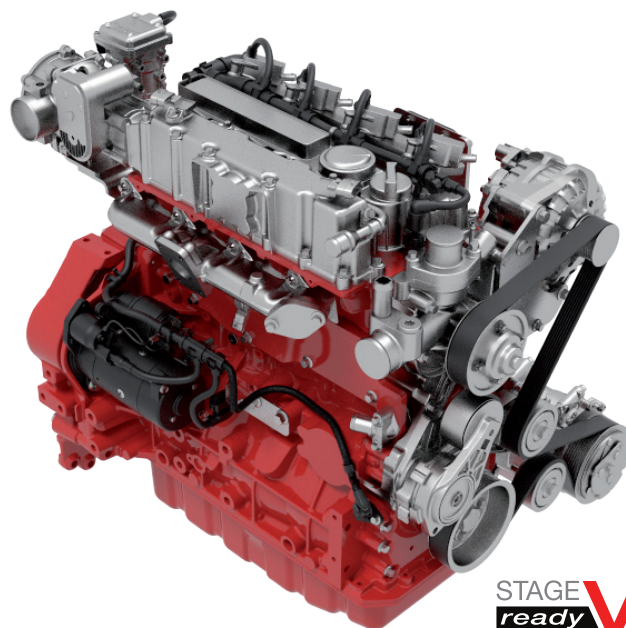


DEUTZ G 2.2 / 2.9

For mobile machinery ■ 26-54 kW / 35-73 hp at 2200-2800 min⁻¹/rpm ■ EU Stage V / US EPA Tier 4

- Newly-designed, water-cooled 3- and 4-cylinder spark ignited LPG engines
- Robust engine design for demanding industrial applications based on the successful TCD 2.9 series.
- Full electronic controlled LPG gas system, stoichiometric combustion, closed loop control and knocking sensors for lowest emissions and best performance at the same time.
- Open EAT system (3 way catalyst) means 100% machine availability even under lowest load duty cycles.
- Same foot print and major installation interfaces as diesel engines TCD 2.2/2.9 for ease of installation in diesel and gas powered machines.
- Up to 1000 h oil change intervals, maintenance-free valve train and optionally service-friendly multi-V belt drive result in low maintenance cost and increased machine availability.
- The extremely compact engine design and customer friendly accessories reduce the installation cost and increase the number of applications.
- 100% power take-off at flywheel and front end and additional side PTO drive with up to 120 Nm for the mounting of hydraulic pumps.
- Compact 3-way catalyst for future EU Stage V and EPA Tier 4 compliance.
- Variants without EAT for lesser regulated markets will enlarge the product range at a later point of time.



TECHNICAL DATA

Engine type		G 2.2 L3	G 2.9 L4
No. of cylinders		3	4
Bore/stroke	mm in	92/110 3.6/4.3	92/110 3.6/4.3
Displacement	l cu in	2,19 133	2,92 177
Max. nominal speed	min ⁻¹ rpm	2200-2800	2200-2800

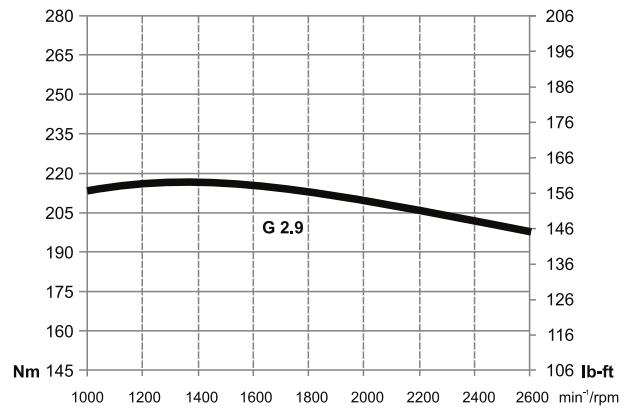
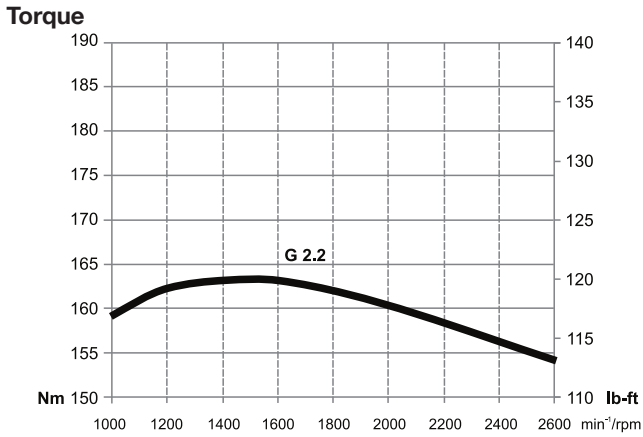
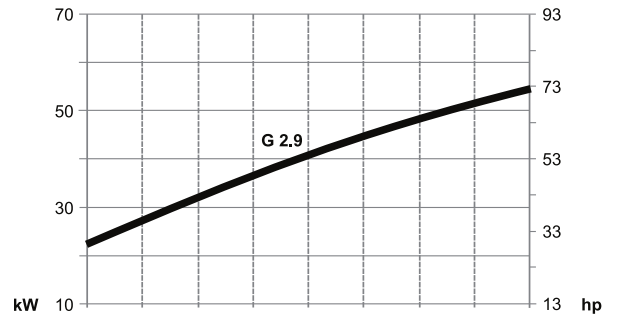
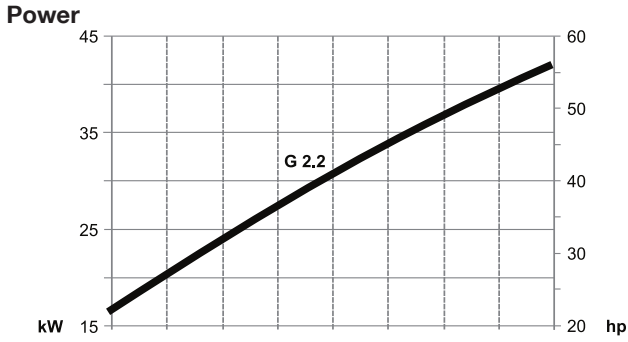
Engine type		G 2.2 L3	G 2.9 L4
Power output as per ISO 14396 ¹⁾	kW hp	42 57	54 72
at speed	min ⁻¹ rpm	2800	2800
Max. torque	Nm lb/ft	160 118	215 159
at speed	min ⁻¹ rpm	1300-1600	1400-1600
Minimum idling speed	min ⁻¹ rpm	900	900
Weight as per DIN 70020 Part 7A ²⁾	kg lb	200 441	220 485

1) Power data without deduction of fan power

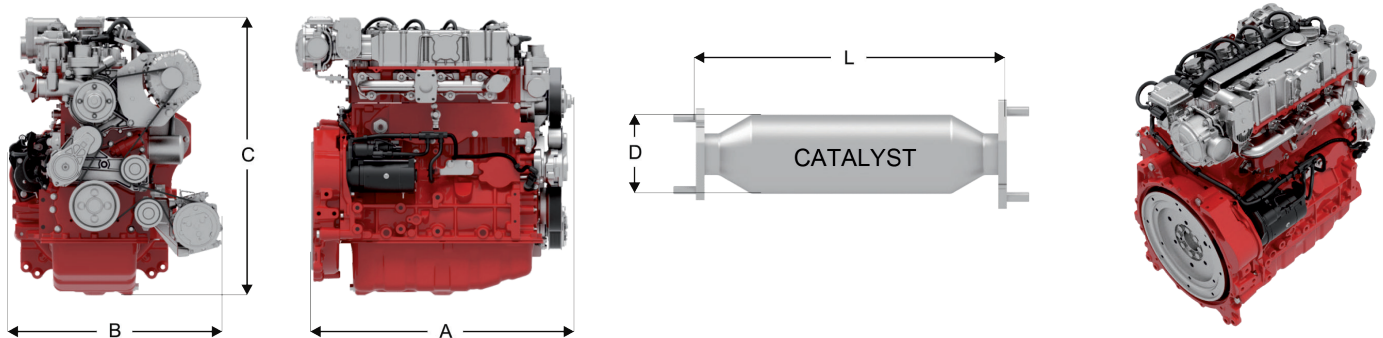
2) Without starter/alternator, cooler and fluids but with flywheel and flywheel housing

CHARACTERISTIC CURVES

G 2.2
G 2.9



DIMENSIONS



Engine type		A	B	C	EAT		DVERT® EAT
					D	L	3-Way-Catalyst
G 2.2	mm in	617 24.3	480 18.9	711 28.0	136 5.3	362 14.2	■
G 2.9	mm in	719 28.3	498 19.6	719 28.3	136 5.3	400 15.7	■

■ Standard for EU Stage V / US EPA Tier 4

Note: The engine dimensions and weights vary depending on the scope of delivery. For more information please contact the DEUTZ AG or the responsible sales partner.

DEUTZ AG
 Ottostraße 1
 51149 Cologne, Germany
 Phone: +49 (0) 221 822-0
 Telefax: +49 (0) 221 822-3525
 E-Mail: info@deutz.com
 www.facebook.com/deutzofficial
 www.deutz.com

The engine company.

Order no. 0031 2635 / 05 / 2018 / MP-M